

BUDGET HIGH QUALITY This and this... is how you can achieve it!

In a Box, Off the Shelf, One-Size-Fits-All Washrooms!

Budget Quality Washrooms ordered as cubicles only.

- Hardware Pack 1
- Standard Door Pack 2
- Partition Pack 3

Budget Washrooms can be ordered to include Cubicles, Wall Duct Access Panel System, and Vanity Units, available as mix or match. Colours: grey, white or magnolia. In addition Door Pack 2 is available in red, yellow and blue.



3 standard cubicles in a corner. Grey doors, white partitions, pilasters, access wall panel system and vanity unit.

- grey
- white
- magnolia

A range of quality, colourful and competitively priced Washrooms, available in a standard colour range, grey, white, or magnolia throughout or 'mix and match' as required including wall panel system.

Pack 3 Partition and Pilasters packed and supplied as one colour. Pack 2 Door, packed and supplied as one colour facilitating alternate or matching colour schemes. Also available in addition to the standard colour range for Pack 2 Door only, red, yellow and blue.

Standard Door Pack 2 and Partition Pack 3 are available in grey, white and magnolia.

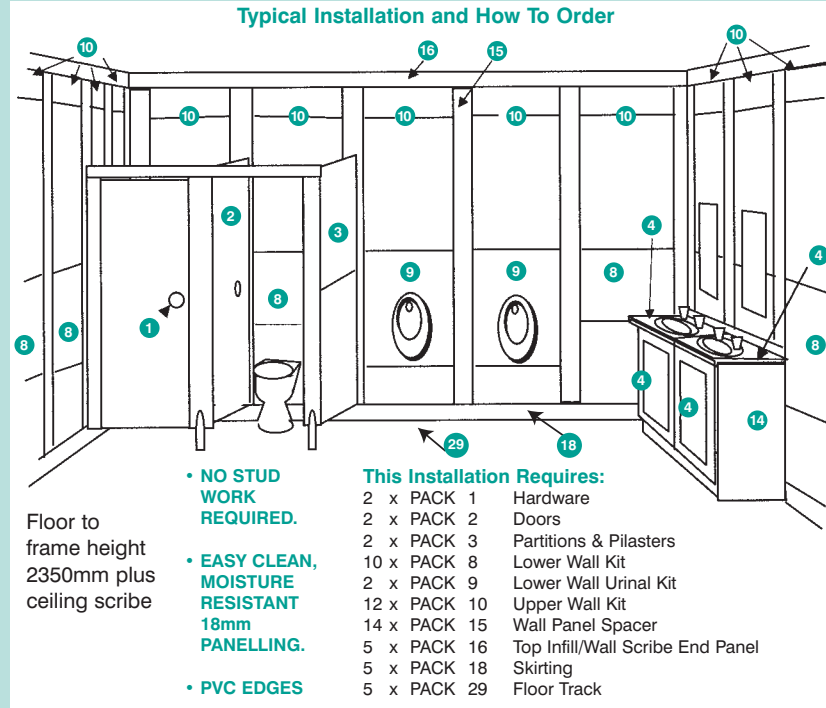
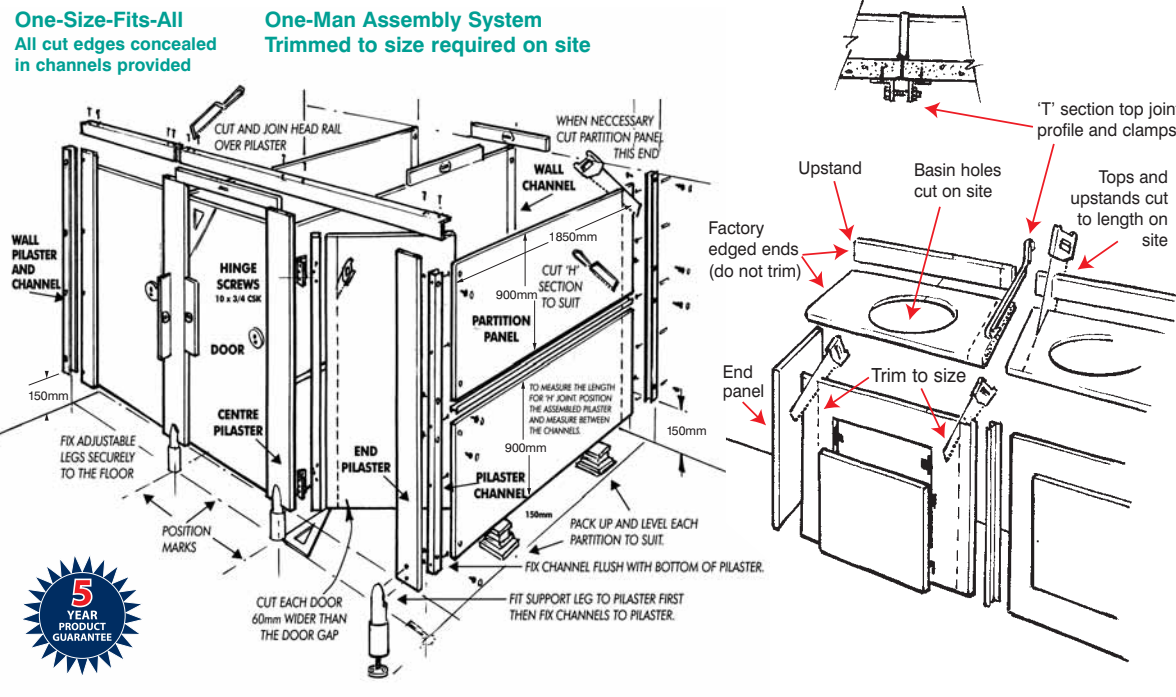
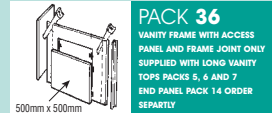
Additional Colours available for Door Pack 2 only.

- red
- yellow
- blue

Red, yellow, and blue doors Pack 2.

PACK 1 HARDWARE PACK 	PACK 2 STANDARD DOOR PACK 	PACK 3 PARTITION PACK 	PACK 4 BOXED 1000MM / VANITY UNIT KIT (Vanity End Panel included) For freestanding add 1 x Pack 14 Available in Grey, White & Magnolia 	PACK 5 1M TOP KIT 	PACK 6 2M VANITY TOP KIT 	PACK 7 3M VANITY TOP KIT 	PACK 8 LOWER WALL WC KIT Height of frame: 1205mm 	PACK 9 LOWER WALL URINAL KIT Height of frame: 1205mm 	PACK 10 UPPER WALL KIT Height of frame: 1145mm 	PACK 11 LONG HEADRAIL KIT Required for single inline cubicle or jointless headrail installation over 1800mm headrail length 	PACK 12 UNIVERSAL LEG KIT
------------------------------------	---	-------------------------------------	---	---------------------------------	--	--	---	---	---	--	---

In order to complete installation of **PACKS 8, 9 & 10** you will also require **PACKS 15, 16, 18 & 29** see typical installation below.



PACK 36
VANITY FRAME WITH ACCESS PANEL AND FRAME JOINT ONLY SUPPLIED WITH LONG VANITY TOPS PACKS 5, 6 AND 7 END PANEL PACK 14 ORDER SEPARATELY

PACK 29
FLOOR TRACK

PACK 14
VANITY END PANEL KIT
Size: 570 x 780mm Available in Grey, White & Magnolia

PACK 15
WALL PANEL SPACER
Size: 250 x 2300mm Available in Grey, White & Magnolia

PACK 16
TOP INFILL, WALL SCRIBE, END PANEL
Size: 250 x 2300mm Available in Grey, White & Magnolia

PACK 18
SKIRTING
Size: 150 x 2300mm Available in Grey, White & Magnolia

PACK 25
WALL PILASTER & WALL CHANNEL FIXING KIT - SELECT WIDTH OF PILASTER REQUIRED

PACK 27
SUPPORT POST
Max length 4 metres
Top & Bottom Fixings Post and Brackets included as one kit
For Post & Channels only see Pack 26
Bottom Fixing

PACK 19
WALL PILASTER FIXING CHANNEL ONLY
1800mm

PACK 17
SPECIAL PANELS REQUIRED FOR FULL SIZE DISABLED CUBICLE
Size: 2000 x 1800mm Door 1050mm x 1800mm Partition 2000 x 1800mm, Face Panels 2 x 500 x 1800mm 3 wall channels 1 headrail 2100mm (Order with Pack 13 & Pack 28)

PACK 28
OUTWARD OPENING DOOR
Kit is: full length hinge, two channels, door closing strip
Door not included

CORNER CUBICLE PACKS REQUIRED: 1 x No. 1 SIZES: W min 150mm max 1350mm 1 x No. 2 D min 1350mm max 1800mm 1 x No. 3	SIDE ENTRY CUBICLE Extra Support Feet required PACKS REQUIRED: 1 x No. 1 SIZES: W min 750mm max 900mm 1 x No. 2 D min 1350mm max 1950mm 1 x No. 3 Extra Leg 1 x No. 12	ALCOVE CUBICLE PACKS REQUIRED: 1 x No. 1 SIZES: W min 150mm max 1350mm 1 x No. 2 Entrance Door clears W.C. Pan 1 x No. 3 Wall Pilaster 1550 x 300 Kit 2 x No. 25 If wide Pilasters extra legs 2 x No. 12	WIDE ALCOVE CUBICLE PACKS REQUIRED: 1 x No. 1 SIZES: W min 1350mm max 2150mm 1 x No. 2 Entrance Door clears W.C. Pan 1 x No. 3 For width over 1800mm, Pack 11 required	TWO CUBICLES BETWEEN WALLS PACKS REQUIRED: 2 x No. 1 SIZES: W min 1500mm x 2000mm 2 x No. 2 D min 1350mm x 2000mm 1 x No. 3 Extra Wall Channel only 1 x No. 19 For width over 1800mm 2 x No. 12 Add extra foot to wide pilasters	RUN OF CUBICLES PACKS REQUIRED: 3 x No. 1 SIZES: W min 2310mm max 3350mm 3 x No. 2 D min 1350mm max 1800mm 3 x No. 3 For max width add an extra foot 3 x No. 12 10 wide pilasters	STANDARD CUBICLE WITH OUTWARD OPENING DOOR PACKS REQUIRED: 1 x No. 1 SIZES: W min 750mm max 1750mm 1 x No. 2 D min 1350mm max 1800mm 1 x No. 3 Outward opening door kit 1 x No. 28	SINGLE VANITY UNIT PACKS REQUIRED: 1 x No. 5 SIZES: min 600mm max 1000mm	DOUBLE VANITY UNIT PACKS REQUIRED: 1 x No. 6 SIZES: min 1200mm max 2000mm	TRIPLE VANITY UNIT PACKS REQUIRED: 1 x No. 7 SIZES: min 1800mm max 3000mm	LOW WALL UNIT URINAL PACKS REQUIRED: 1 x No. 9 SIZES: height 1205mm min 750mm width max 1000mm width	UPPER WALL UNIT PACKS REQUIRED: 1 x No. 10 SIZES: height 1145mm min 750mm width max 1000mm width	PACK 34 HALF HEIGHT FRAME ASSEMBLY WC PACKS REQUIRED: 1 x No. 11 SIZES: height 1220mm min 750mm width max 1100mm width	PACK 35 HALF HEIGHT FRAME ASSEMBLY URINAL PACKS REQUIRED: 1 x No. 12 SIZES: height 1220mm min 750mm width max 1100mm width	TYPICAL HALF HEIGHT UNITS Half height shown separately. See packs 34 and 35
--	--	--	---	---	---	---	---	--	--	---	---	--	--	---

Cubicle Systems Quality at an Affordable Price

There is Only One Cubicle Systems Ltd & Only One Choice for Cubicles

Cubicle Systems Quality at an Affordable Price

is what you can achieve...



C/SIB
07 (22) X (U31)

CUBICLE SYSTEMS LTD®



Three Cubicles including Disabled fitted between walls with wide pilasters and additional support feet.



Red, Yellow and Blue Doors



Round Lock Face



Pedestal Feet



Aluminium Hinges



BUDGET WASHROOMS

THE NEW GENERATION OF WASHROOMS



ISO 9001:2000

There is Only One Cubicle Systems Ltd & Only One Choice for Cubicles

Cubicle Systems Quality at an Affordable Price

Technical Information

Design

Budget Low Cost, no-nonsense Cubicles, Vanity Units and Wall Panelling is ideal for the Installer who requires size flexibility and all the parts to do the job in one pack. All packs can be brought together to form a complete washroom.

The One-Size-Fits-All Design

Maximum depth of cubicle 1850mm, maximum width 1200mm. Simply trim the partition panel to the depth required, trim the door to the width required. All cut edges fit into full length channels.

Application

FOR DRY AREAS ONLY. Off-the-shelf availability. Style and quality suitable for most locations.

Material Specification

All board and panels used in the manufacture of the Budget Range of cubicles are 18mm moisture resistant, high density chipboard core material bonded both sides with impact resistant melamine, all edges finished with PVC edging.

Furniture and Fittings

All cubicles are supplied with a full fitting and fixing pack and also include door lock, hinges, toilet roll holder, coat hook, support foot, and installation instructions. All items to complete the job "No Extras". All hardware available in chrome grey epoxy powder coated finish.

Colour Selection

Budget Ranges are available only with the colours illustrated in the brochure.

Installation

Budget cubicles are supplied only to the sizes illustrated in this brochure. The 'One-Size-Fits-All' doors and partitions meet most size installation requirements within the design limitations.

Technical Support

Cubicle Systems Technical Service is available on a national basis. For assistance, contact our Technical Staff Hot Line 01425 615585

5 YEAR WARRANTY

The Budget Range of Washrooms is covered by Cubicle Systems Ltd 5 Year Product Guarantee.

Note: Warranty applies only if installation is carried out by a competent and qualified tradesman, and is carried out in accordance with Cubicle Systems Ltd installation instruction procedure.

We reserve the right to change specification without notice.

Colours shown are as true an indication as the printing process will allow.

BUDGET EASY ORDER FORM

To order, enter the number of packs you require in the relevant box. Each pack is supplied complete and will do the job. Panels can be cut to fit minimum or maximum widths and depths. The maximum size of each pack is indicated at the bottom of the inside pages.

If in doubt as to what you require, phone our **HelpLine on 01425 615585. We are here to help!**

Photocopy this page and fax or email it to us for a price by return.

Quantity Required		Quantity Required		Quantity Required	
<input type="checkbox"/>	PACK 1 Standard Hardware Pack	<input type="checkbox"/>	PACK 9 Lower Wall Urinal Kit	<input type="checkbox"/>	PACK 17 Disabled Cubicle
<input type="checkbox"/>	PACK 2 Standard Door Kit	<input type="checkbox"/>	PACK 10 Upper Wall Kit	<input type="checkbox"/>	PACK 18 Skirting
<input type="checkbox"/>	PACK 3 Standard Partition Kit	<input type="checkbox"/>	PACK 11 Long Head Rail Kit	<input type="checkbox"/>	PACK 19 Wall Pilaster Fixing Channel Only
<input type="checkbox"/>	PACK 4 Boxed 1000mm Vanity Unit Kit	<input type="checkbox"/>	PACK 12 Universal Leg Kit	<input type="checkbox"/>	PACK 25 Wall Pilaster & Wall Channel Fixing Kit
<input type="checkbox"/>	PACK 5 1M Vanity Top Only	<input type="checkbox"/>	PACK 13 Disabled Cubicle Hardware Kit	<input type="checkbox"/>	PACK 27 Support Post
<input type="checkbox"/>	PACK 6 2M Vanity Top Only	<input type="checkbox"/>	PACK 14 Vanity End Panel Kit	<input type="checkbox"/>	PACK 28 Outward Opening Door Kit
<input type="checkbox"/>	PACK 7 3M Vanity Top Only	<input type="checkbox"/>	PACK 15 Wall Panel Spacer Kit	<input type="checkbox"/>	PACK 29 Floor Track
<input type="checkbox"/>	PACK 8 Lower Wall W.C. Kit	<input type="checkbox"/>	PACK 16 Top Infill/Wall Scribe & End Panel	<input type="checkbox"/>	PACK 34 Half Height Frame Assembly WC
				<input type="checkbox"/>	PACK 35 Half Height Frame Assembly Urinal

ENQUIRY FROM:

Company Name: _____

Address: _____

Post Code: _____

Contact Name: _____ Phone Number: _____

Fax Number: _____ Email: _____

CUBICLE SYSTEMS LTD®

TOILET CUBICLES & WASHROOM FACILITIES

Nova Business Units, Gore Road Industrial Estate, New Milton, Hampshire BH25 6RP

Tel: 01425 615585 Fax: 01425 628144

email: sales@cubiclesystems.co.uk www.cubiclesystems.co.uk

Cubicle Systems Quality at an Affordable Price